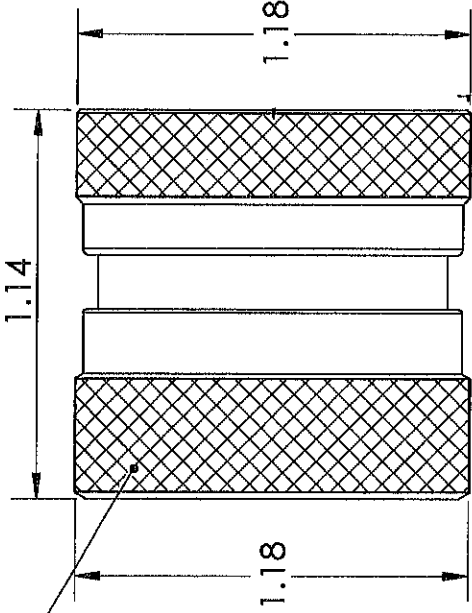
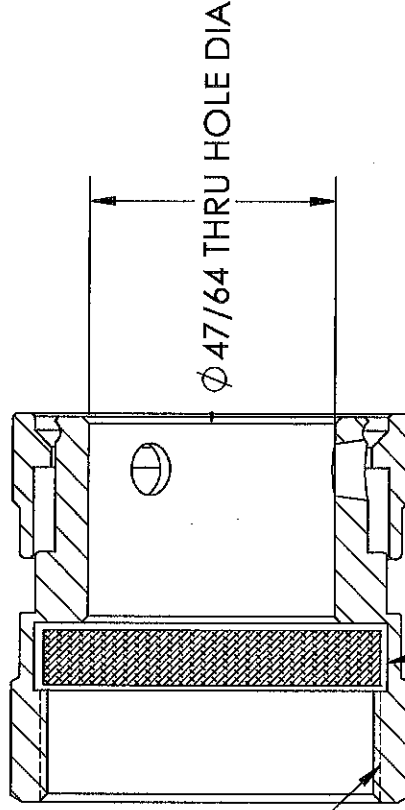


LINE DRAWING NOT FOR PRODUCTION PURPOSES

DIAMOND KNURL

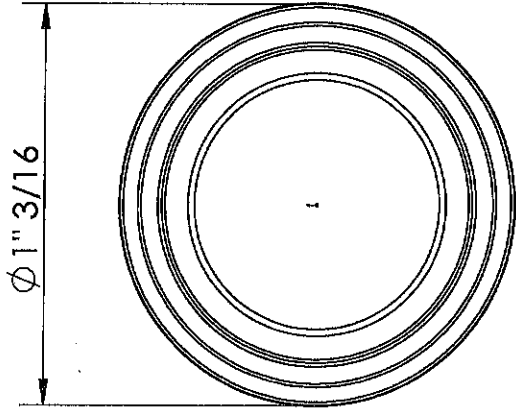


3/4 1 1/2 NH  
GARDEN HOSE THREAD



Ø 47/64 THRU HOLE DIA

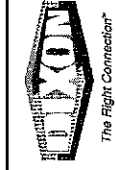
RUBBER GASKET



Ø 1" 3/16

500QCFSS-303 SS BODY/  
302 SS SPRING/304 BALLS

This drawing is owned by Dixon Valves, Coupling Co. and shall be returned upon demand. It is loaned on condition that it shall not be copied or reproduced or submitted to others without the owners consent. In accepting it, subject to this condition, the recipient further agrees that this drawing or any design detail or concept disclosed herein shall not be used in any way detrimental to or in competition with the owner. If the recipient does not agree to the terms of this agreement they shall return this drawing immediately. The information contained in this drawing is subject to change without notice.



**Dixon Brass**  
Westmont, Illinois USA

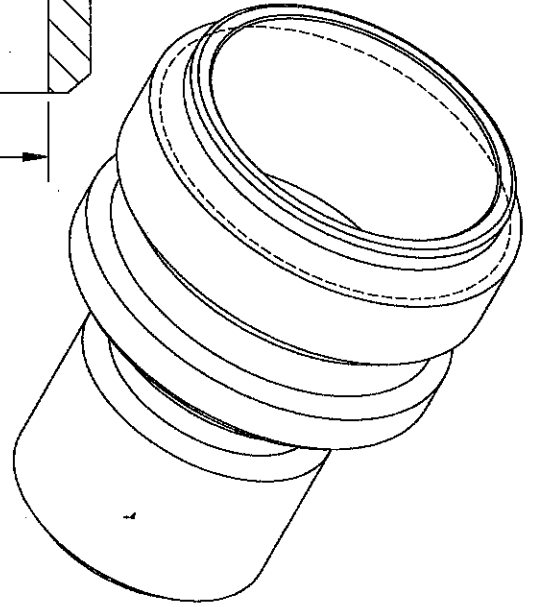
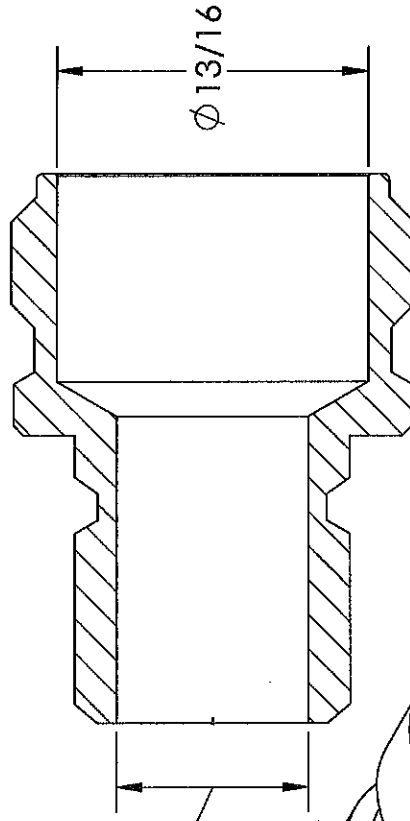
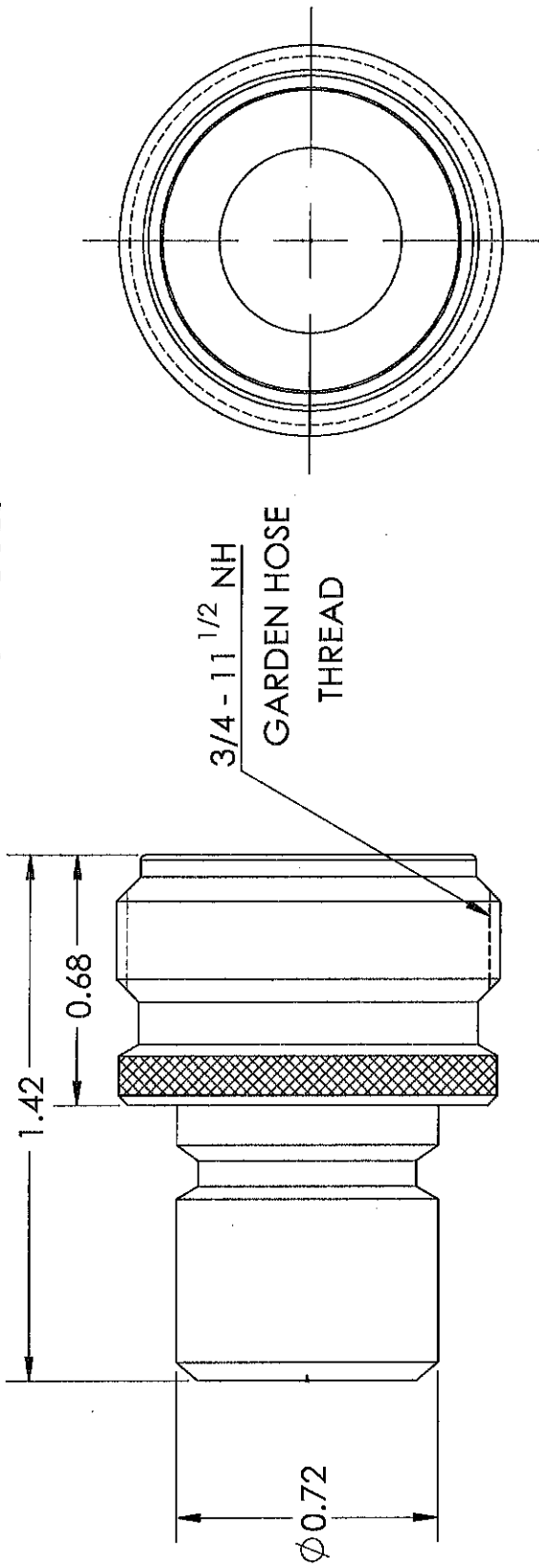
DRAWN	DATE
P. MONAGHAN	2/13/26
APPROVED	DATE
ECO NO.	

TITLE:

BODY


DO NOT SCALE THIS DRAWING	
SIZE	DWG. NO.
A	500QCFSS
REV	A

LINE DRAWING NOT FOR PRODUCTION PURPOSES



MATERIAL 1"1/16 RD ALLOY 303 STAINLESS STEEL

This drawing is owned by Dixon Valves & Coupling Co. and shall be returned upon demand. It is loaned on condition that it shall not be copied or reproduced or submitted to others without the owners consent. In accepting it, subject to this condition, the recipient further agrees that this drawing or any design detail or concept discussed herein shall not be used in any way detrimental to or in competition with the owner. If the recipient does not agree to the terms of this agreement they shall return this drawing immediately. The information contained in this drawing is subject to change without notice.

 The Right Connection™	DRAWN	DATE
	P. MONAGHAN	2/13/26
Dixon Brass Westmont, Illinois USA	APPROVED	DATE
TITLE: MALE PLUG EXTENDED THREAD	ECO NO.	
DO NOT SCALE THIS DRAWING	SIZE	DWG. NO.
	A	500QCMSS
	REV	A